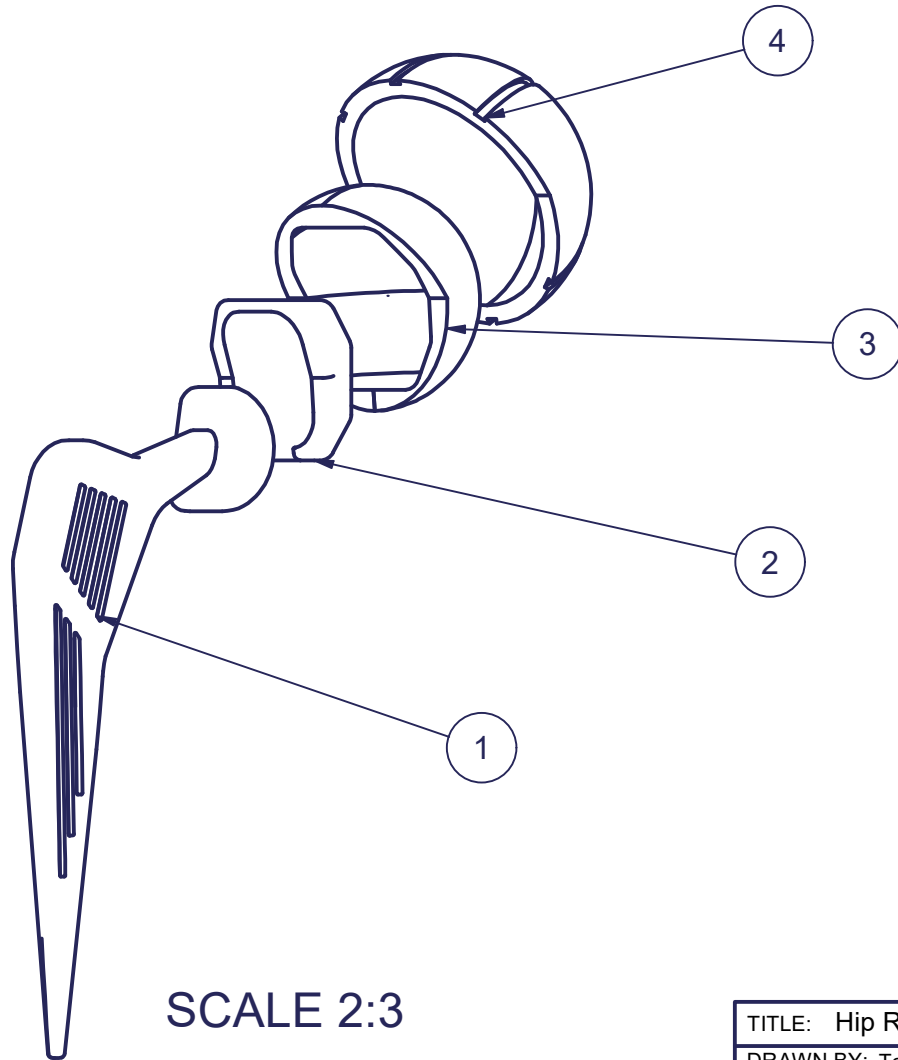
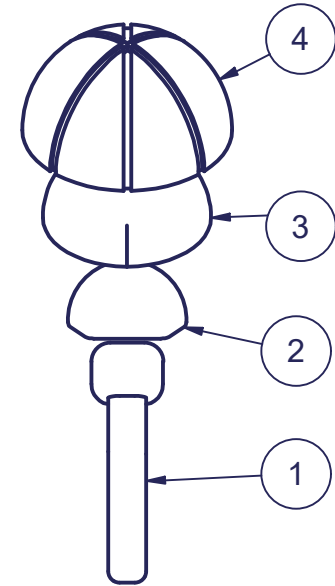


Parts List

1	1	Stem	Stem to be implanted within left femur
2	1	Flexor	Allows for lateral movement
3	1	Rotator	Allows unidirectional movement
4	1	Hip Socket	Fitted inside hip

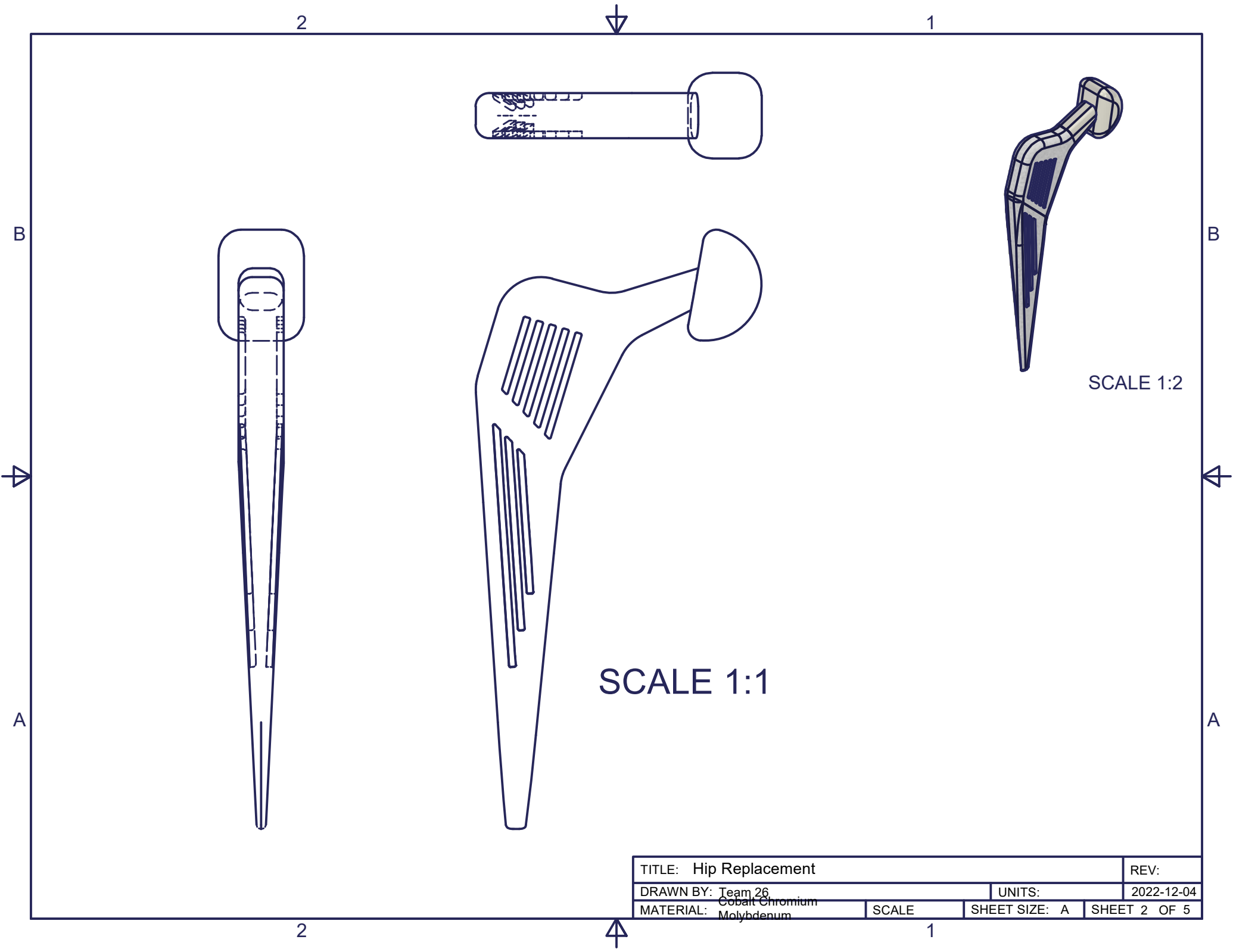


SCALE 2:3



SCALE 1:2

TITLE: Hip Replacement			REV: 02
DRAWN BY: Team 26		UNITS: mm	2007-11-04
MATERIAL:	SCALE N/A	SHEET SIZE: A	SHEET 1 OF 5



SCALE 1:1

SCALE 1:2

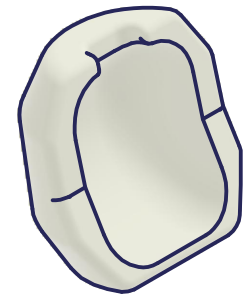
TITLE: Hip Replacement			REV:	
DRAWN BY: Team 26		UNITS:		2022-12-04
MATERIAL: Cobalt Chromium Molybdenum	SCALE	SHEET SIZE: A	SHEET 2 OF 5	

2

1

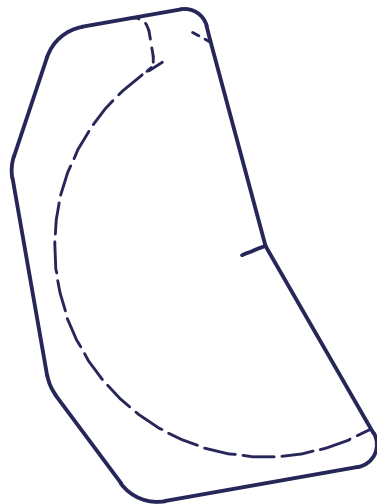
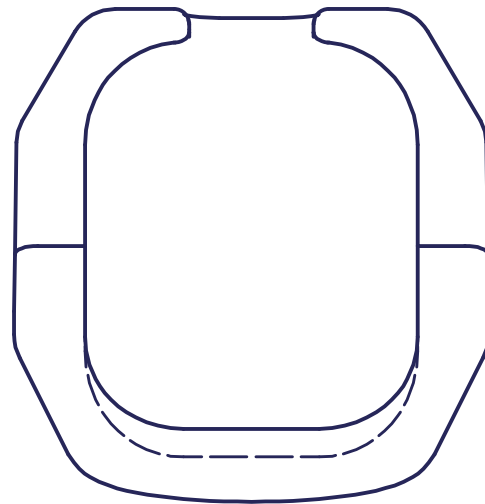
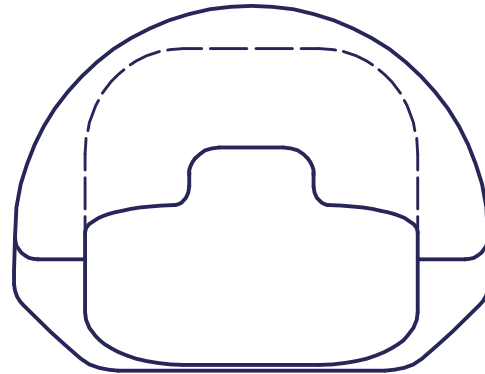
B

B



SCALE 1:1

SCALE 2:1



A

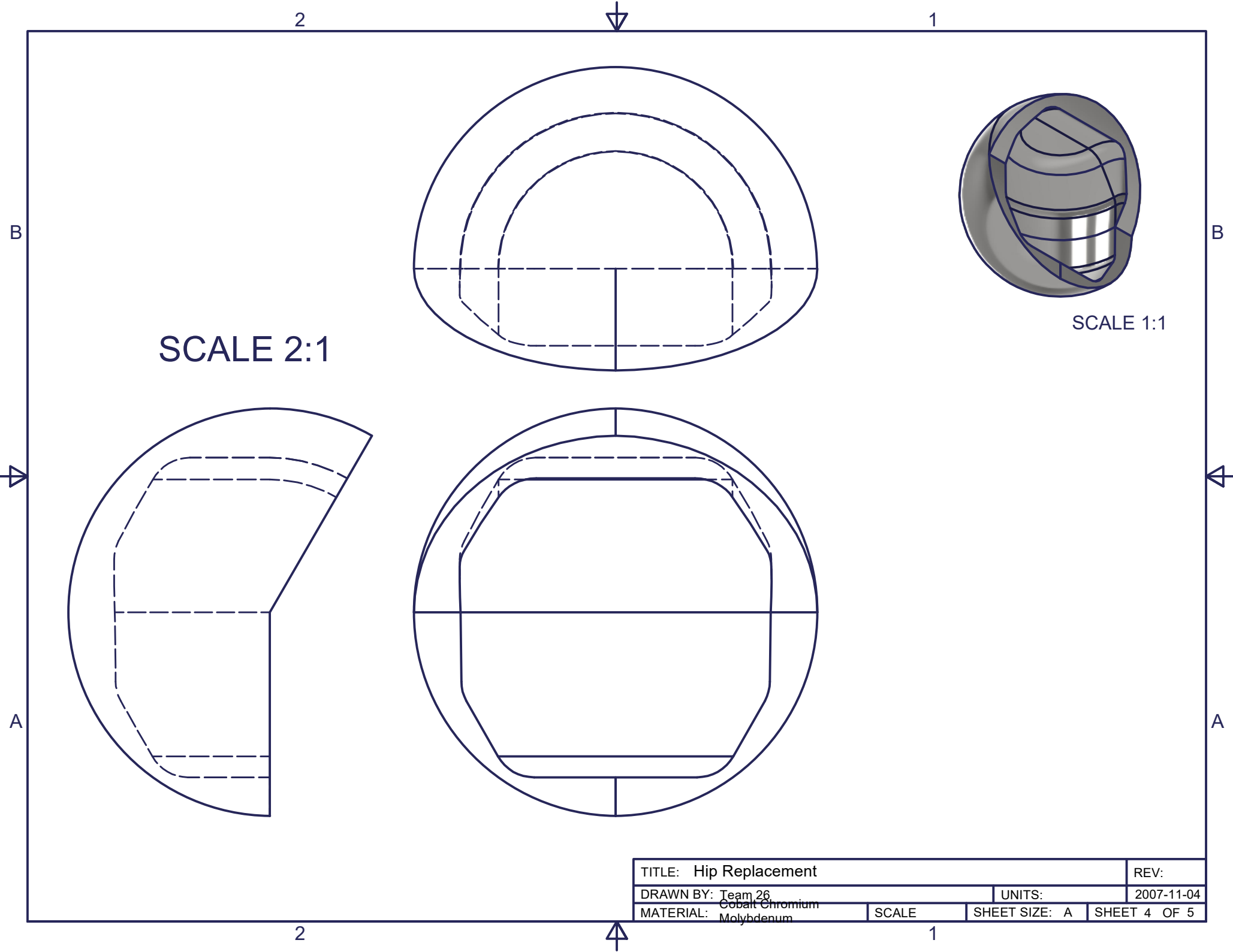
A



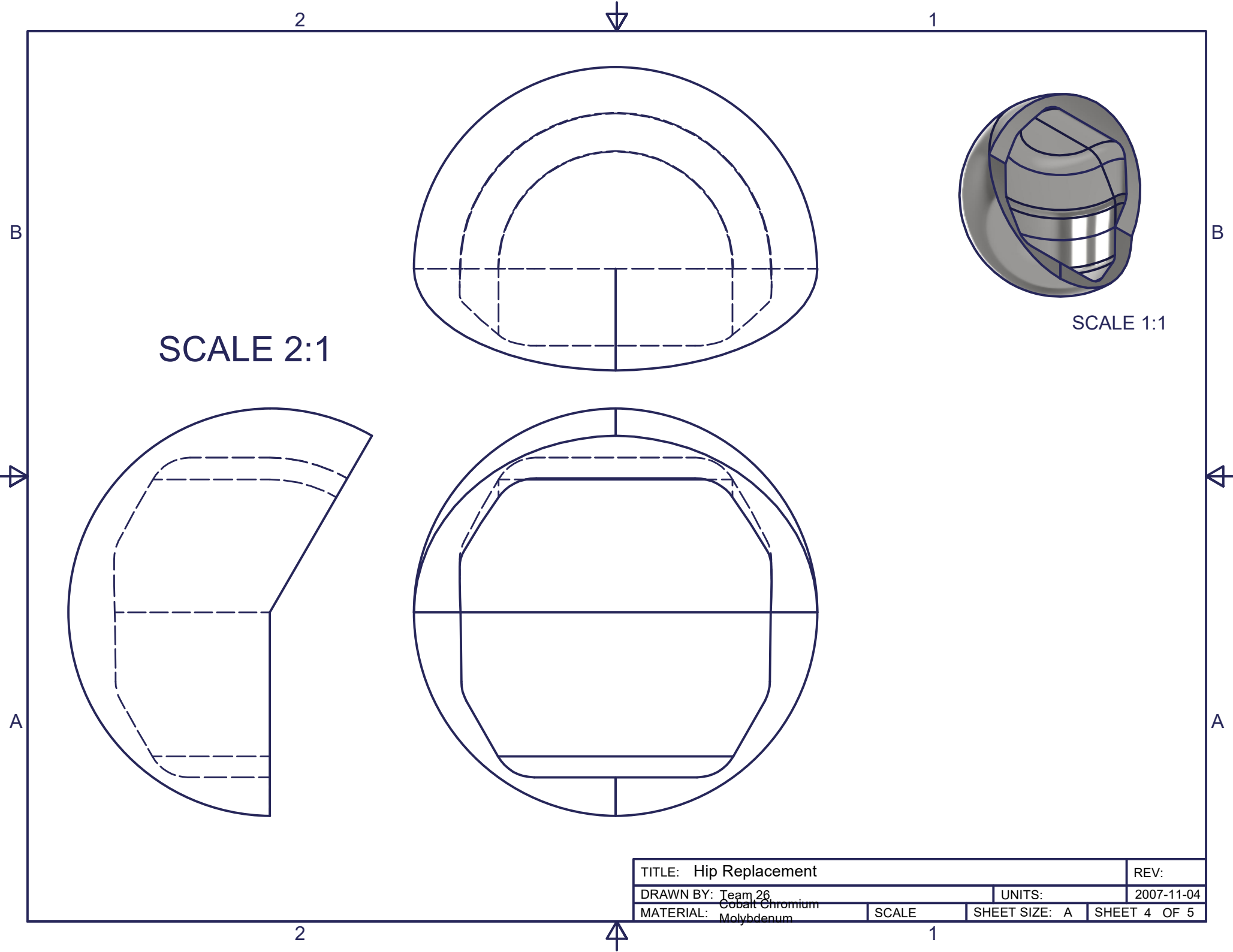
2

1

TITLE: Hip Replacement			REV:	
DRAWN BY: Team 26		UNITS:		2022-12-05
MATERIAL: Polyethylene, High Density	SCALE	SHEET SIZE: A	SHEET 3 OF 5	



TITLE: Hip Replacement			REV:	
DRAWN BY: Team 26		UNITS:		2007-11-04
MATERIAL: Cobalt Chromium Molybdenum		SCALE	SHEET SIZE: A	SHEET 4 OF 5



TITLE: Hip Replacement			REV:	
DRAWN BY: Team 26		UNITS:		2007-11-04
MATERIAL: Cobalt Chromium Molybdenum		SCALE	SHEET SIZE: A	SHEET 4 OF 5

2

1